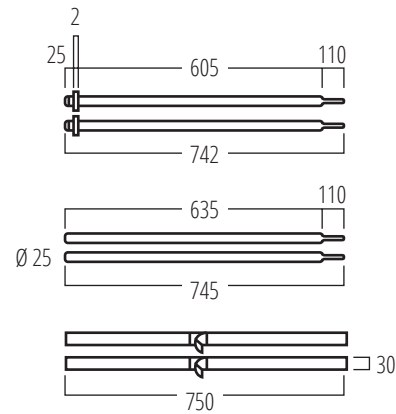


Weights in Kg

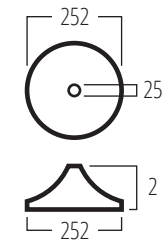
3 Poles & 2 Graphic rails	1.4
Base Disc	2.0

Packaging in Kg

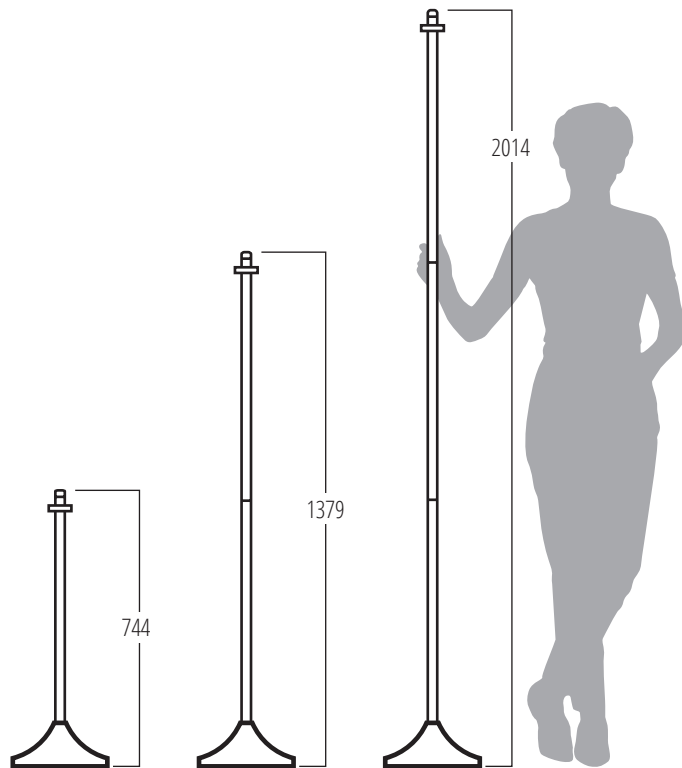
Two Individual reusable cartons per item	
Carton one: 760(w) x 195(d) x 43mm(h)	0.3
Carton two: 270(w) x 270(d) x 140mm(h)	0.3



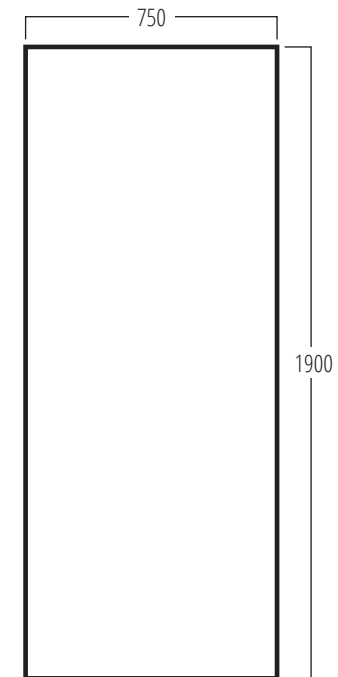
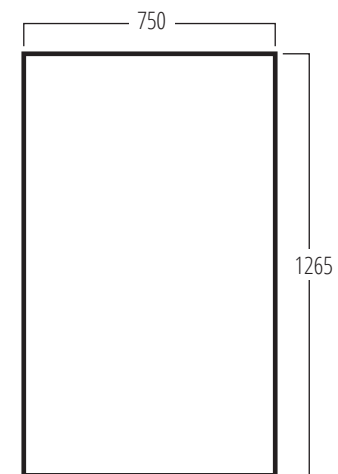
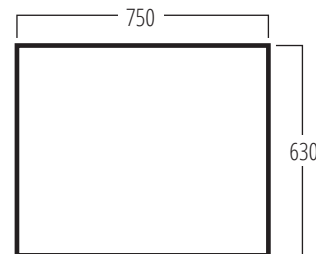
Poles and Graphic Rails



Base Disc



Base Disc with Poles



Maximum Graphic Sizes