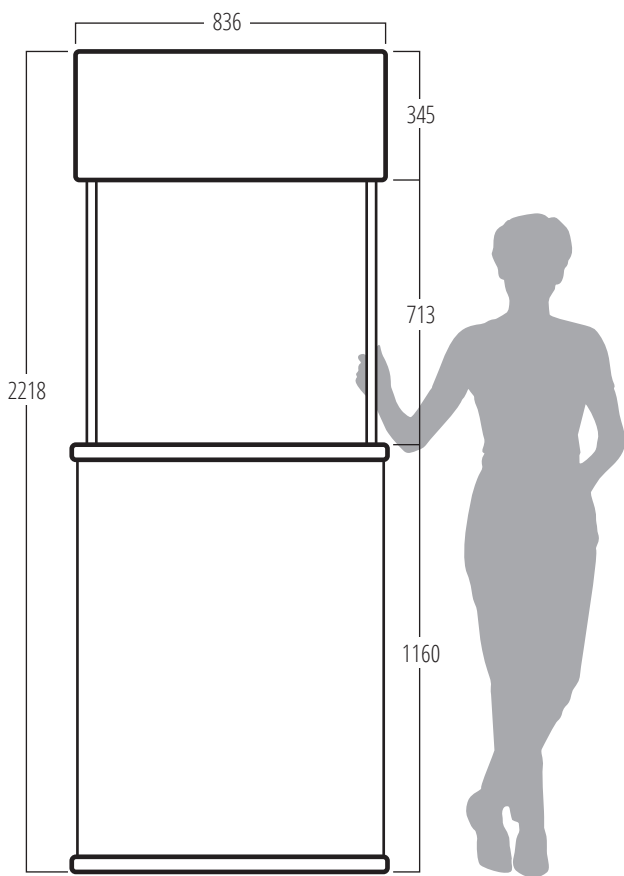


Weights in Kg

Top.....	1.27
Work Top	1.39
Shelf.....	1.15
Bottom	1.02
Body Panel.....	5.92
Pole Set (six pieces) H.....	2.40
Header.....	0.71
Pole Set Roof Kit (six pieces) M.....	2.36
Roof Kit.....	1.84
Bag.....	2.05

Packaging in Kg

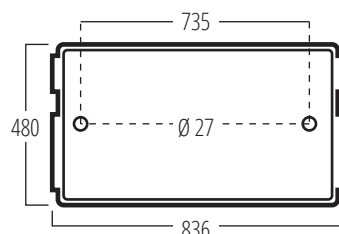
Individual reusable carton 2.22
 External size: 1220(w) x 870(d) x 76mm(h)



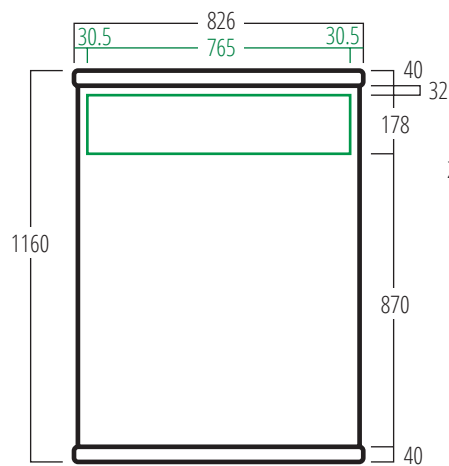
Unit and Header



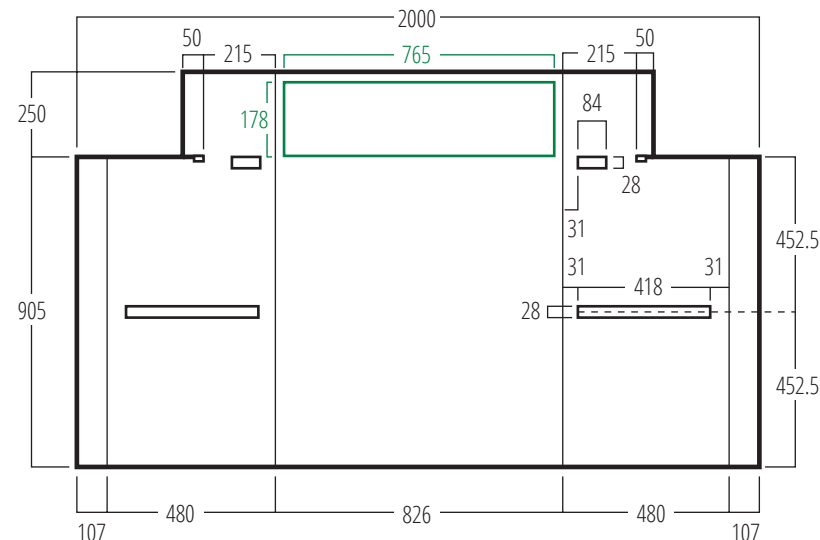
Top



Work Top

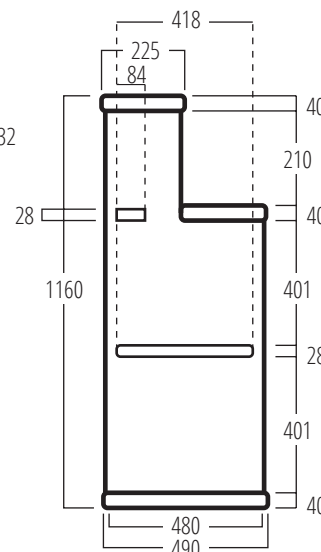


Front with Window

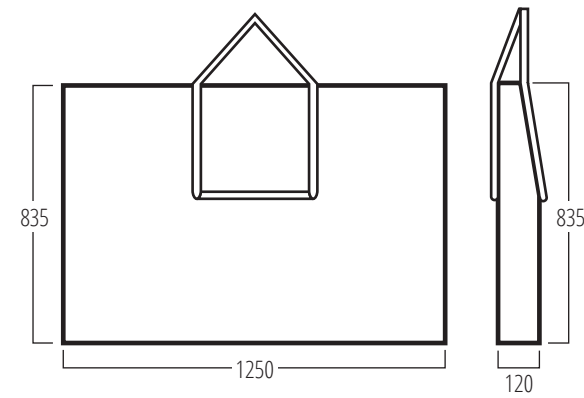


Graphic Size for Unit and Window

Allow 37.5mm for top and bottom



Side



Carry Bag